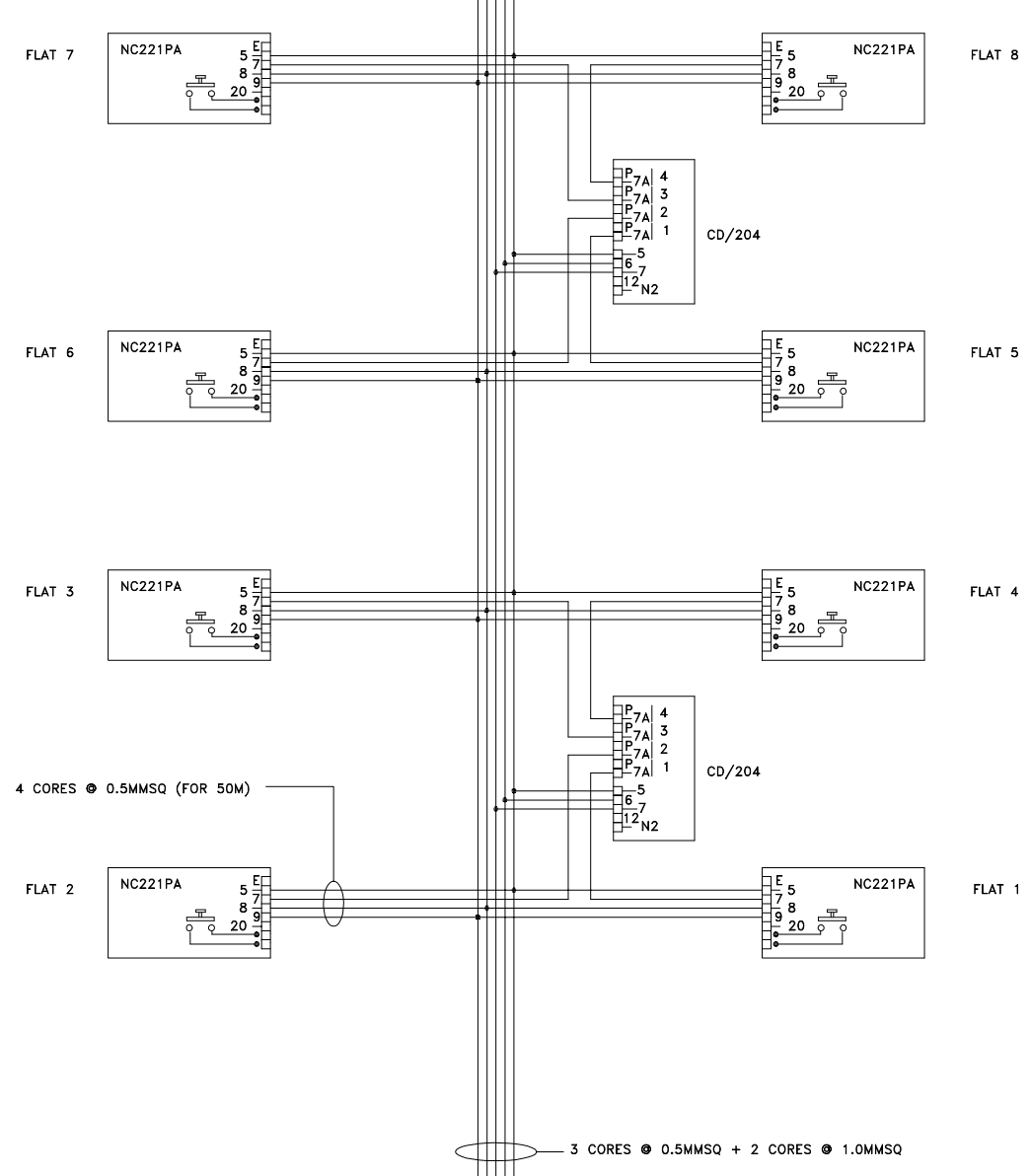
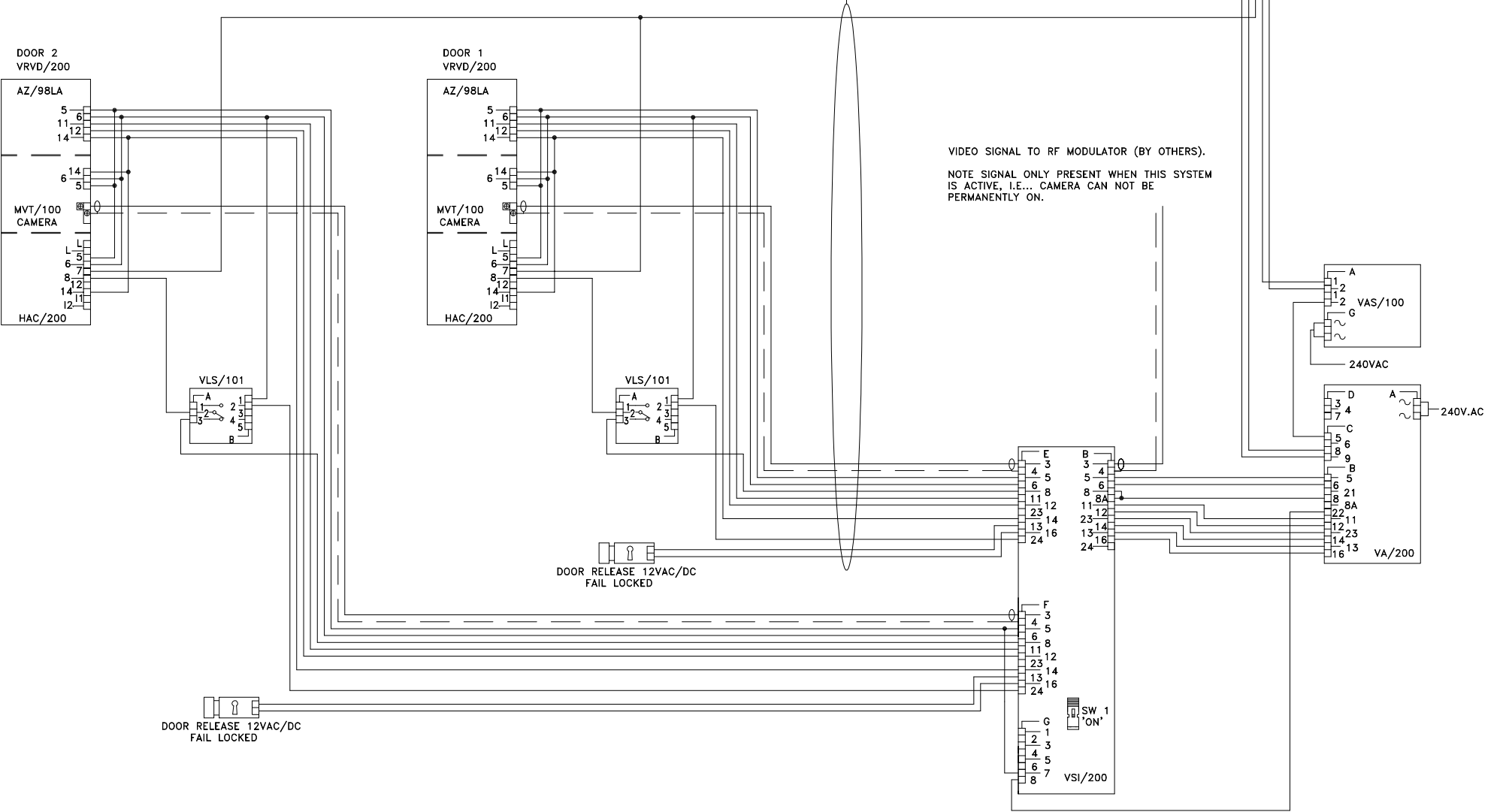


TO FURTHER PHONES
AND CD204 AS REQ.



NOTE:
THIS DRAWING INDICATES AND ASSUMES THE USE OF
A MINIMUM OF 0.5MMSQ CSA PARALLEL CONDUCTORS.
INCORRECT CABLE SPEC CAN CAUSE DIGITAL
SIGNALING PROBLEMS.

NOTE: CABLE EQUIVALENTS
VCM/130 = RG59 COAX + 4 CORES @ 1.0MMSQ + 8 CORES @ 0.5MMSQ



BPT (UK) LTD. HERTS. ENGLAND	PREPARED FOR INSTALLER INFORMATION	DATE: 09/05/06	DRAWN: RC
		REVISED:	
DRAWING TITLE:	2 X DIGITAL VR VIDEO ENTRY PANEL & NOVA AUDIO RECEIVERS, VIDEO TO RF MODULATOR	DRAWING No: B-XV2NNL(AUD)	